

ROCLIP 34.02 Modular Clipping Machine



ROCLIP 34.02
Base frame – 8259900068
E-clip head – 8254200031
BLDC drive unit – 8759901001
Transverse bogie – 8259900008
2300 Wh battery – 7839900001

For inserting and extracting clip fasteners in new construction and maintenance

THE ADVANTAGES. YOUR BENEFITS.

High work quality and optimum results

- Modular design: consisting of base frame, clip head, drive unit and transverse bogie
- Clip heads available for e-clips and Fastclips
- Fastclip head with sleeper lifting unit
- Choice between two different drive units
- Various tools for e-clips, PR clips, MkV clip & Fastclips
- Sleepers with hollow can be clipped
- High throughput
- Powerful
- Quick tool change between inserting and extracting
- Assembly and disassembly of the individual modules without the use of any tools
- Protection of insulators due to precise adjustment
- Simple logistics

User-friendly and safe

- Intuitive start of clipping using the push-button on the handle
- Excellent ergonomics due to optimised centre of gravity
- Optimum view of work area due to LED lighting
- Height-adjustable and foldable guide handles
- Optional: Transverse bogie with deadman's brake
- Two-hand operation protects the operator
- Mesh guard on e-clip head

SPECIFICATION **Base frame**

Weight	from 53 kg
Dimension in transport position (L x W x H)	1350 x 620 x 1080 mm
Dimension in working position (L x W x H)	1820 x 620 x 630 mm



Base frame

SPECIFICATION Clip head

	E-clip head	FC-clip head
Clip type	e-Clip, PR-Clip, MkV Clip	FC-Clip
Insertion force	34.4 kN	44.2 kN
Extraction force	34.4 kN	33.2 kN
Max. operating pressure	230 bar	230 bar
Sleeper lifting unit	no*	yes
Sleeper hollow	up to 20 mm possible	up to 50 mm possible
Weight	from 92.2 kg	from 62.1 kg
Weight incl. clipping tool	from 103.7 kg	from 70.4 kg
Dimension (L x W x H)	720 x 480 x 440 mm	430 x 650 x 680 mm

*e-clip head does not require any additional sleeper lifting unit

ACCESSORIES

e-clip tools

8254220028	Insertion tool for concrete sleepers
8254220029	Extraction tool for concrete sleepers
8254220034	Insertion tool for wooden sleeper
8254220035	Extraction tool for wooden sleeper

PR-clip tools

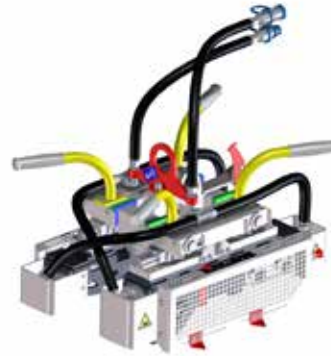
8254220030	Insertion tool
8254220031	Extraction tool

MKV-clip tools

8254220032	Insertion tool
8254220033	Extraction tool

FC-clip tools

8254220012V	Insertion tool for clip length 125 mm
8254220011V	Insertion tool for clip length 135 mm
8254220013V	Extraction tool without stop
8254220019V	Extraction tool with stop
8254220009V	Extraction tool, smooth



e-clip head



FC-clip head

SPECIFICATION Drive unit

	BLDC drive unit	Honda GX 270 drive unit
Drive	BLDC electric motor	4-stroke petrol engine
Type		Honda GX 270
Output	6.6 kW	6.3 kW
Max. operating pressure	230 bar	230 bar
Hydraulic oil filter	yes	yes
Weight (excl. 2300 Wh battery)	from 59 kg	from 83,4 kg
Dimension (L x W x H)	660 x 480 x 710 mm	870 x 650 x 660 mm

ACCESSORIES

For BLDC drive unit

7839900001	Battery 2300 Wh
7879900001	Charger
5039900003	Power supply



BLDC drive unit E³



Honda GX 270 drive unit

SPECIFICATION **Transverse bogie**

Weight	from 48 kg
Dimension (L x W x H)	1950 x 750 x 260 mm
Track gauge	1435 mm

Other gauges available on request.

Optional: Transverse bogie with deadman's brake available



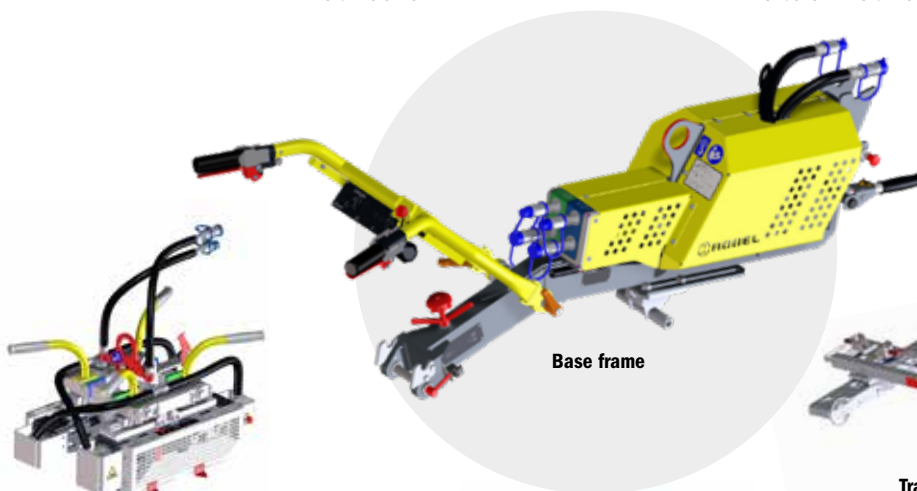
Transverse bogie



BLDC drive unit E³



Honda GX 270 drive unit



Base frame



e-clip head



Transverse bogie



FC-clip head